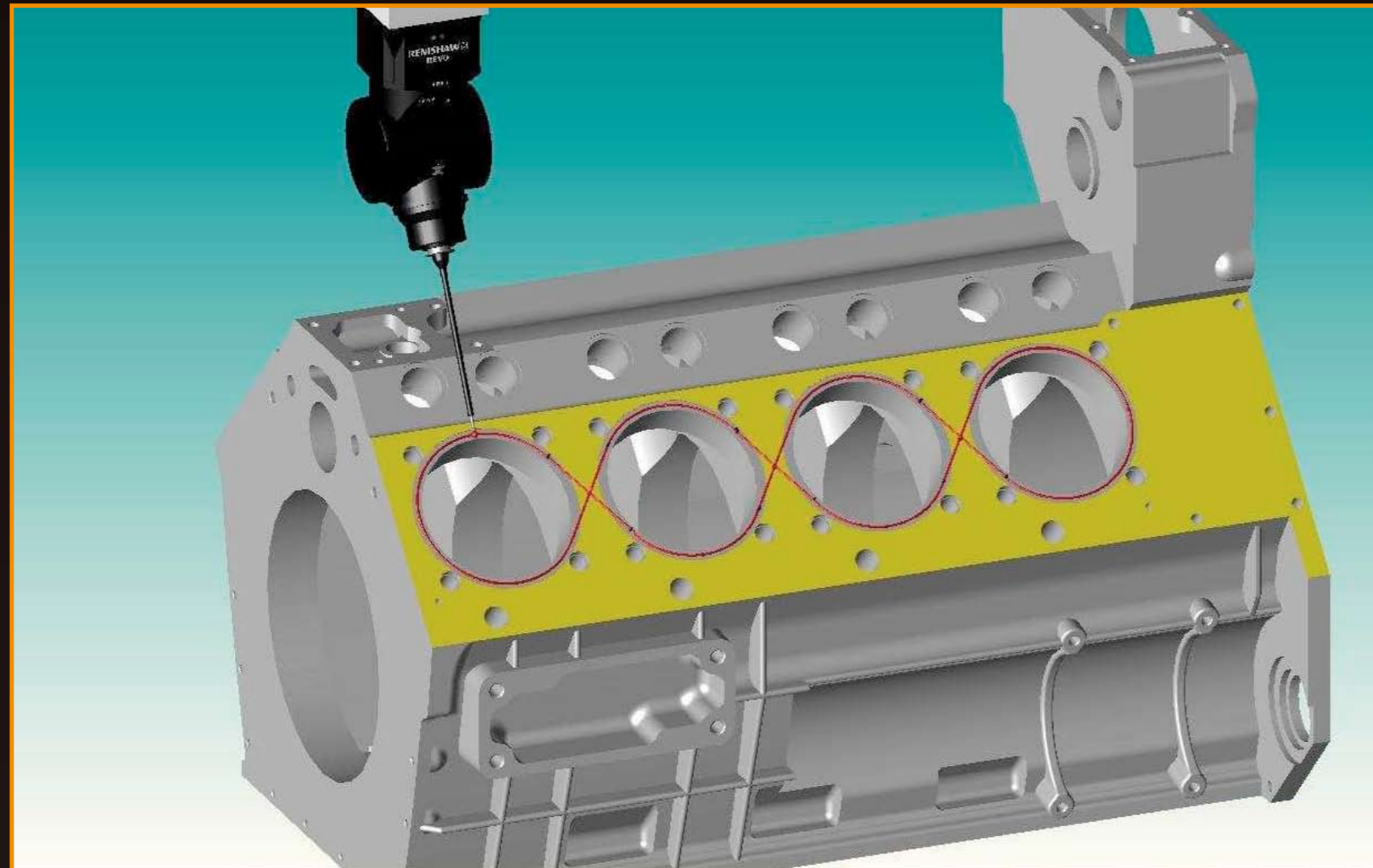


MODUS™ metrology software



Powerful programming

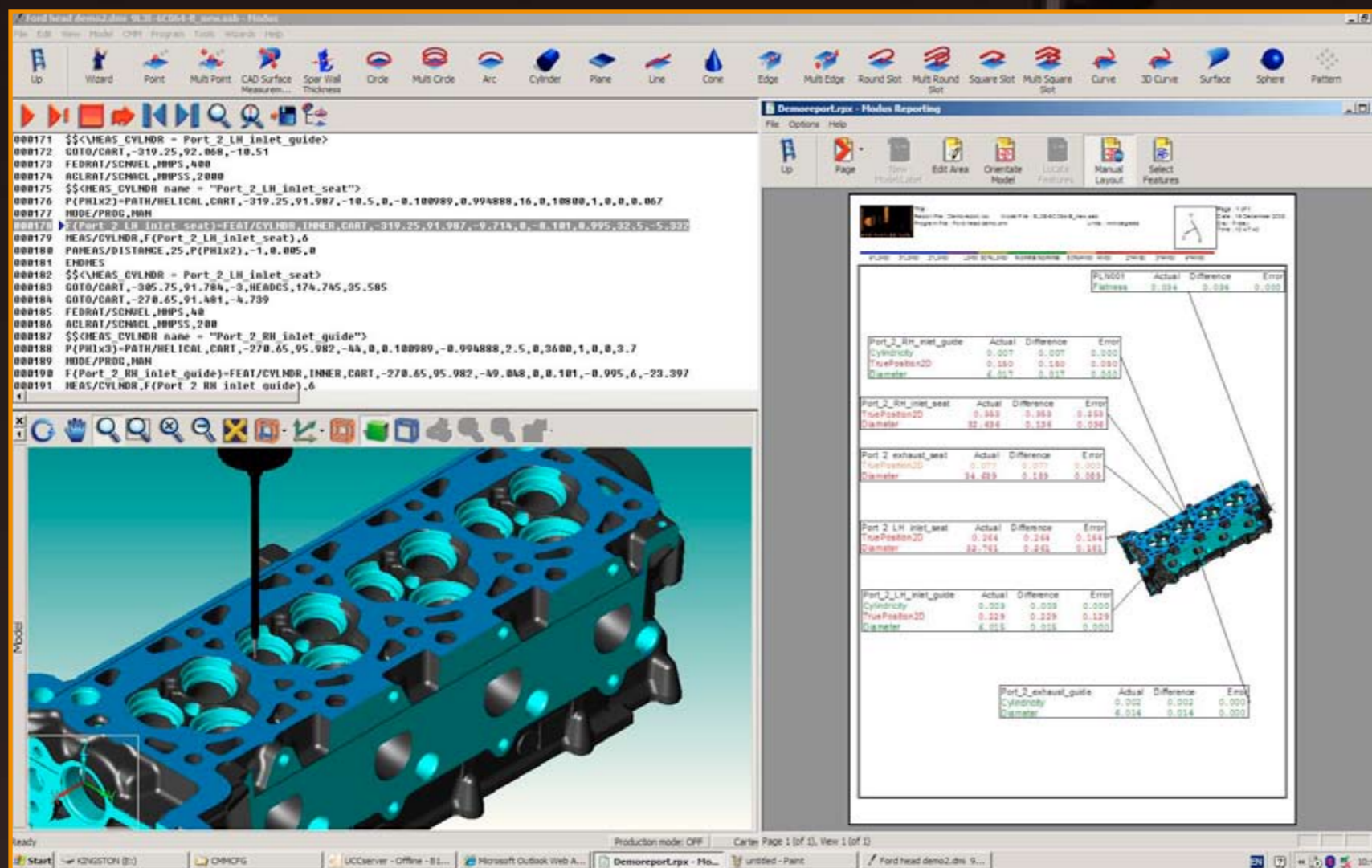
CAD-driven offline programming with full simulation and collision detection

One stop shop

Part of a complete retrofit solution supplied and supported by Renishaw

Future proof

Full support for Renishaw's revolutionary REVO® 5-axis scanning technology



MODUS